



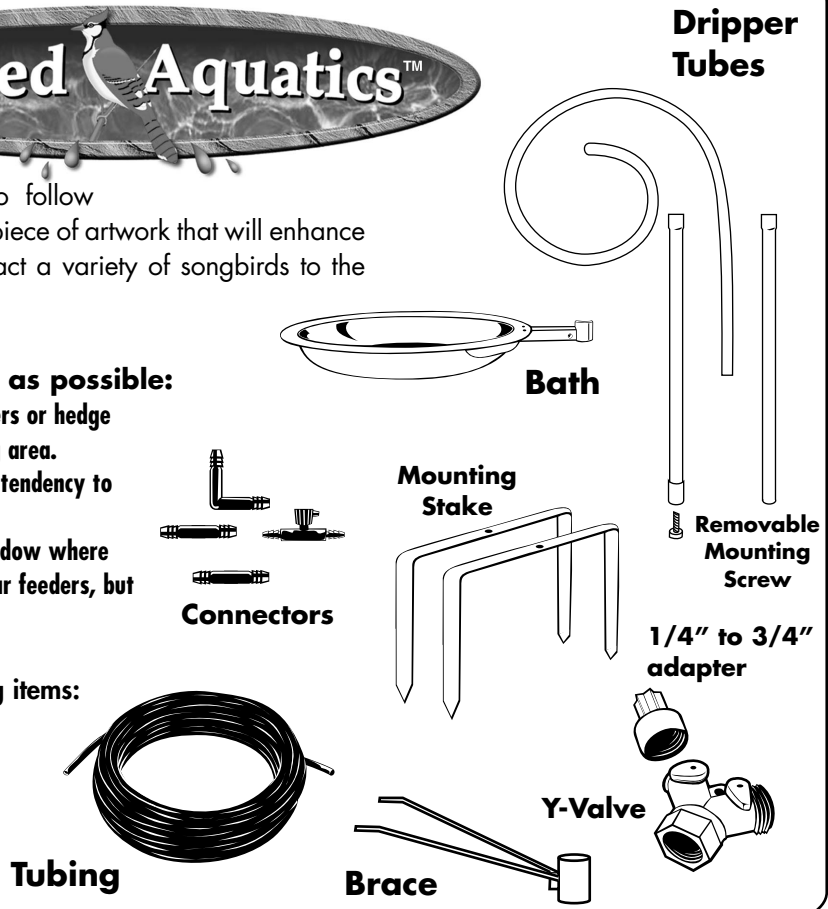
Thank you for purchasing the Morning Waters Bird Bath with Dripper. By following these simple, easy to follow instructions you will have a magnificent and unique piece of artwork that will enhance the beauty of your yard and at the same time attract a variety of songbirds to the bath.

We recommend that you select a location meeting as many of the following criteria as possible:

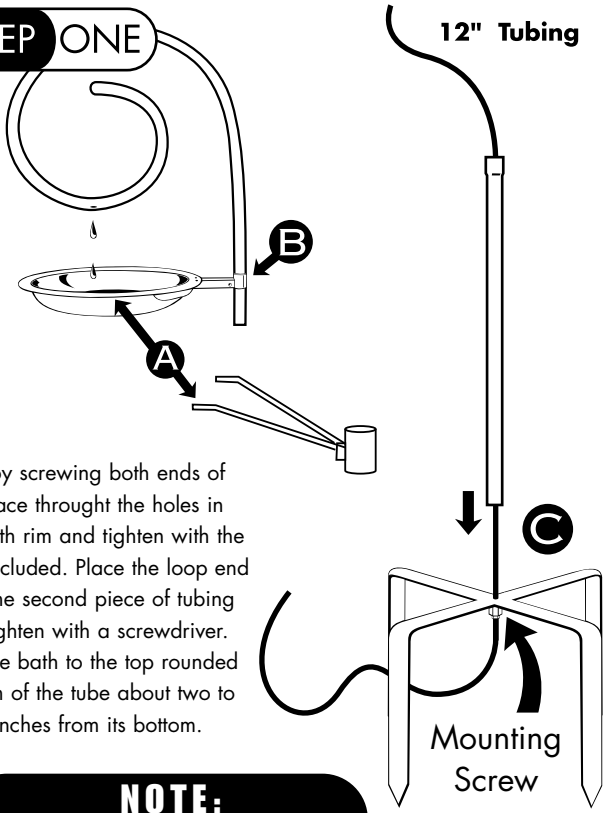
- Near good bird habitat, such as large trees for warblers or hedge rows. This provides a tree "highway" to your bathing area.
- In partial shade so the bath stays cooler and has less tendency to grow algae.
- Approximately 20 - 40 ft. from a patio or picture window where you often sit to watch birds. The bird bath can be near feeders, but not so close that seeds and hulls fall into the water.
- Avoid a location which can hide a cat.

The kit you purchased should contain the following items:

- 3 Copper Sectional Dripper tubes
- 1 Copper Bird Bath
- Garden hose to 1/4" Tubing Adapter and Y-valve
- PVC regulating valve to adjust drip rate
- 1 elbows and 2 straight connector for splicing
- Steel Mounting Stakes and instructions



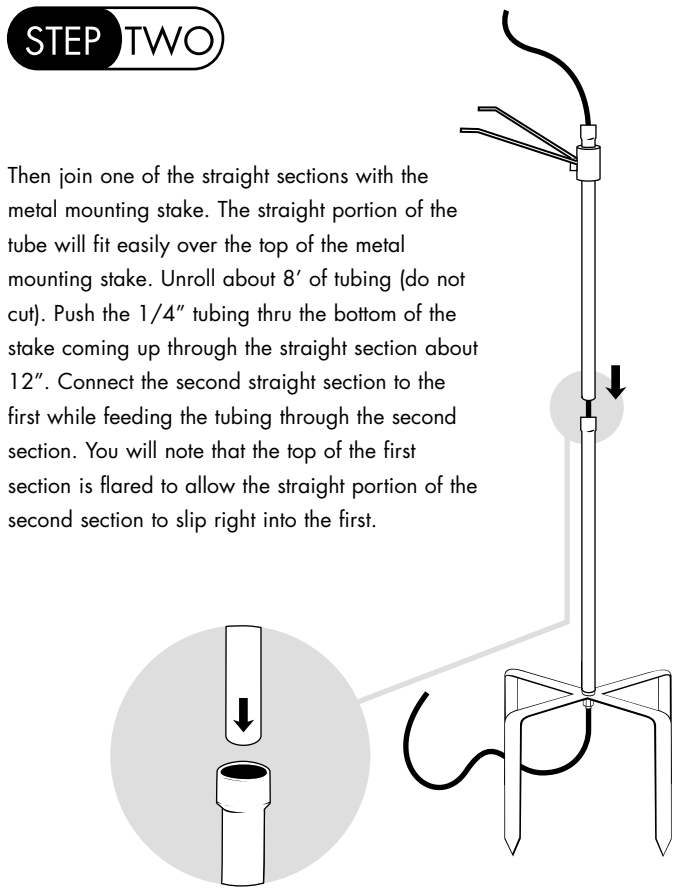
STEP ONE



Start by screwing both ends of the brace through the holes in the bath rim and tighten with the nuts included. Place the loop end over the second piece of tubing and tighten with a screwdriver. Join the bath to the top rounded section of the tube about two to three inches from its bottom.

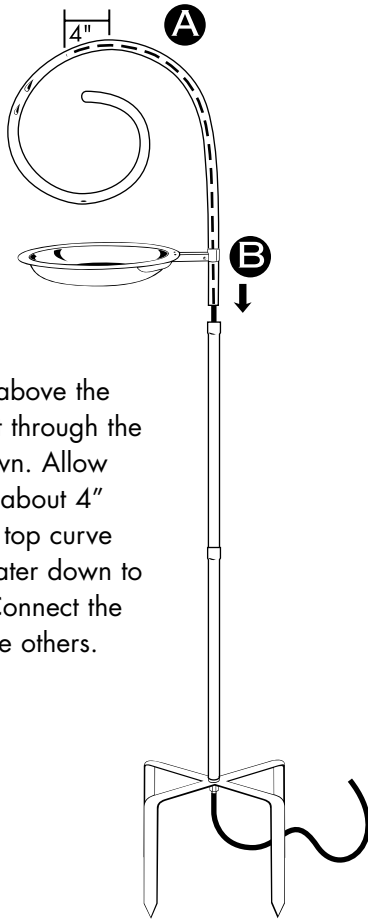
NOTE:
Mounting screw needs to be removed from pole, then mounting stakes can be attached

STEP TWO



Then join one of the straight sections with the metal mounting stake. The straight portion of the tube will fit easily over the top of the metal mounting stake. Unroll about 8' of tubing (do not cut). Push the 1/4" tubing thru the bottom of the stake coming up through the straight section about 12". Connect the second straight section to the first while feeding the tubing through the second section. You will note that the top of the first section is flared to allow the straight portion of the second section to slip right into the first.

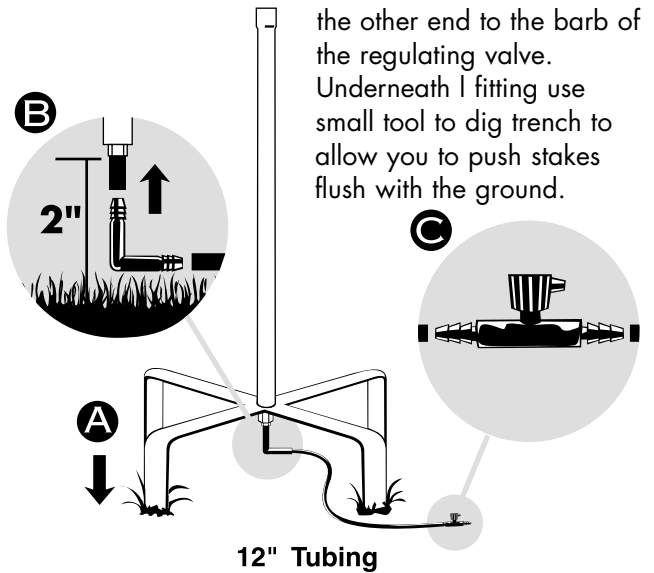
STEP THREE



Push about 36" of tubing above the second section and push it through the rounded top piece as shown. Allow the end of the tube to rest about 4" past the centerpoint of the top curve so gravity will force the water down to the bottom dripper hole. Connect the third rounded section to the others.

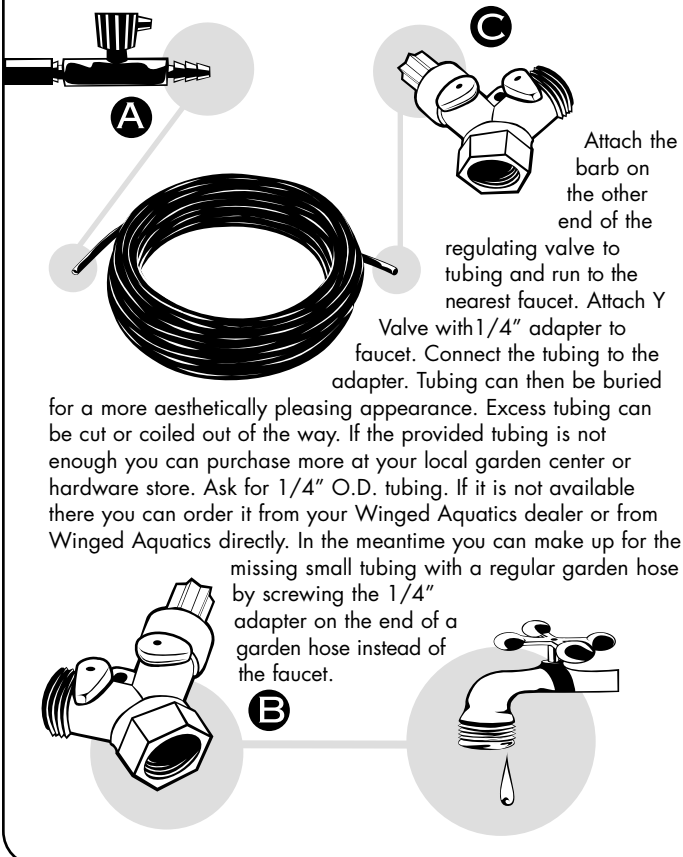
STEP FOUR

Decide where you wish to place the Bath/Dripper and push the metal stakes in to the ground leaving at least one to two inches gap between the bottom of the tubing inlet and the ground. Cut the tubing at ground level and connect the 1/4" elbow fitting at this cut. Push the tubing over the barb.



connected to the bath and the other end to the barb of the regulating valve. Underneath the fitting use small tool to dig trench to allow you to push stakes flush with the ground.

STEP FIVE



Attach the barb on the other end of the regulating valve to tubing and run to the nearest faucet. Attach Y Valve with 1/4" adapter to faucet. Connect the tubing to the adapter. Tubing can then be buried for a more aesthetically pleasing appearance. Excess tubing can be cut or coiled out of the way. If the provided tubing is not enough you can purchase more at your local garden center or hardware store. Ask for 1/4" O.D. tubing. If it is not available there you can order it from your Winged Aquatics dealer or from Winged Aquatics directly. In the meantime you can make up for the missing small tubing with a regular garden hose by screwing the 1/4" adapter on the end of a garden hose instead of the faucet.

ROUTINE OPERATION

Use the regulating valve to regulate the drip rate. In the first few days you may have to readjust the regulation valve several times but then it normally maintains a fairly constant drip rate. Occasionally, it is necessary to fully open the valve to flush out any sediment and then close it until you have the desired drip rate. It is preferable to operate your dripper on a daily basis, as this provides the birds with a dependable supply of cool fresh water and also keeps your birdbath full. The easiest and most dependable way to operate the dripper on a regular basis is by using a battery operated water timer, which can be purchased from most local garden centers or hardware stores. With a timer, we often observe the birds gathering around the bath about 15 minutes before the timer is scheduled to come on. Mid to late afternoon seems to be a favorite bathing time.

MAINTENANCE

If at any time you experience low flows, open the regulating valve until good flow is achieved, then close until you have the drip rate you want.

WINTER

The Dripper is not meant for operation below freezing. If freezing weather is anticipated, disconnect the 1/4" adapter from the faucet. Clean the strainer in the adapter and store for the winter. The 1/4" tubing can be left in place. Freezing should not harm it. When reconnecting your system once warm weather returns, flush the 1/4" tubing prior to reattaching the dripper and regulating valve.

In winter the bath can be used as a feeder.

Caution: failure to disconnect the adapter from the faucet before freezing weather could result in a ruptured water line in your house (most faucets are designed to drain the water in them when nothing is connected).

STRAIGHT CONNECTOR

A straight connector has been provided in case you need to add more 1/4" tubing (3/16" I.D.) or, in case you accidentally cut the tubing supplied while gardening

CONSERVATION PLEDGE

Due to the steadily increasing loss of natural habitats, Winged Aquatics contributes a portion of its sales revenue to conservation organizations dedicated to preserving natural areas.

HAPPY BACKYARD BIRDING!